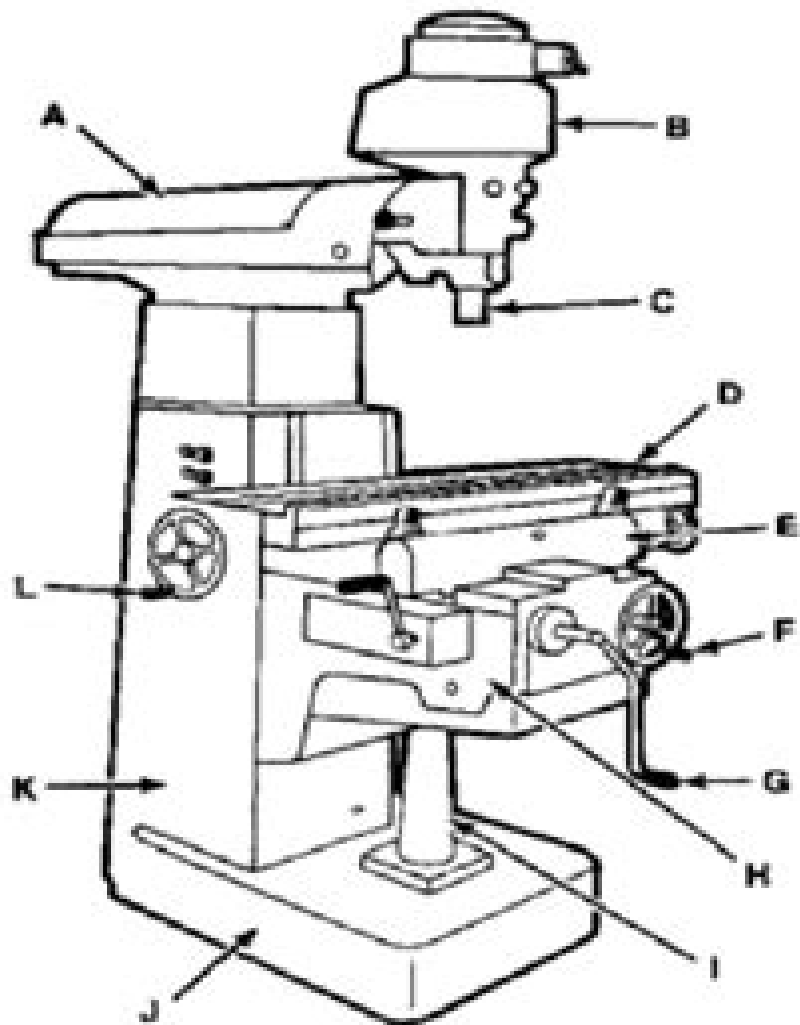
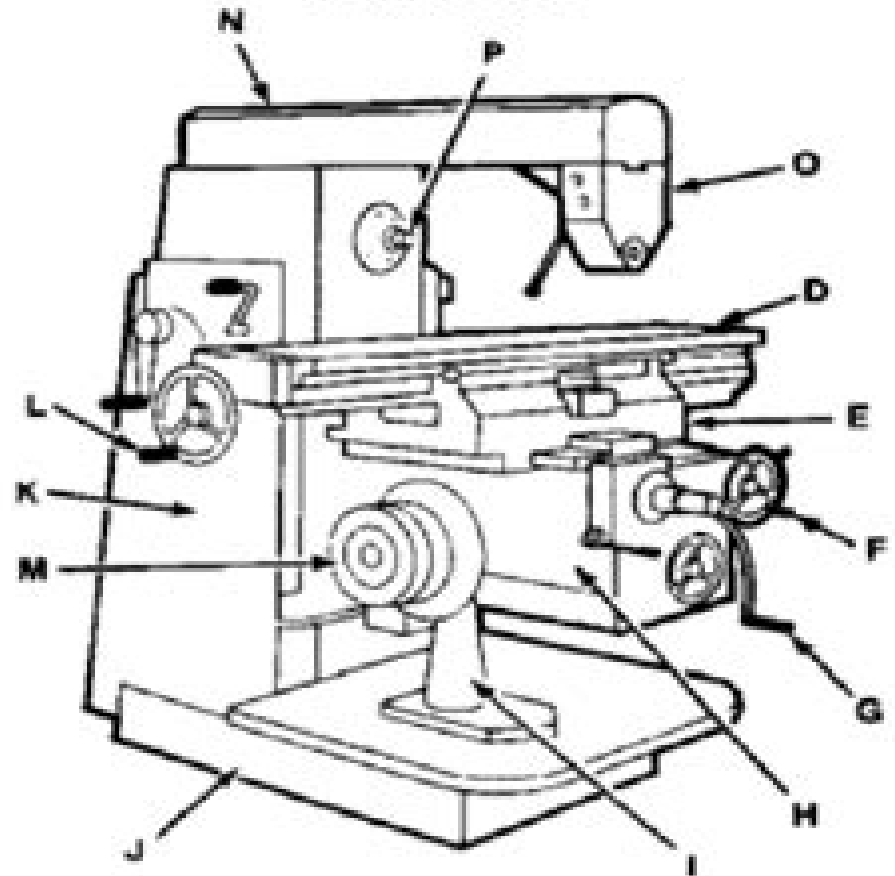


## VERTICAL



- A RAM
- B VERTICAL HEAD
- C QUILL
- D TABLE
- E SADDLE
- F CROSSFEED HANDLE
- G VERTICAL FEED CRANK
- H KNEE

## HORIZONTAL



- I VERTICAL POSITIONING SCREW
- J BASE
- K COLUMN
- L TABLE HANDWHEEL
- M TABLE TRANSMISSION
- N RAM TYPE OVERARM
- O ARBOR SUPPORT
- P SPINDLE

# Fexacug Milling Machine Manual

**Dale Grover**



## **Fexacug Milling Machine Manual:**

*Huebner's Machines Tool Specs: Machining centers through spark erosion machines*, 1980      **Huebner's Machine**  
**Tool Specs: Machining centers through spark erosion machines**, 1980      *Financial Mail*, 1982-11      **Milling**  
**Machines and Milling Practice** D. De Vries, 1910      No. 2 U.S. Production Milling Machine Burke Machine Tool Co, 1969  
*Model 100 Vertical Milling Machine* Famco Machine Company, 1960      *Greaves No. 2XH Milling Machine* Greaves  
Machine Tool Co, 1969\*      **Modern Milling** Ernest Pull, 1917      Ram and Turret Vertical Milling Machine Burke Machine  
Tool Co, 1969\*      Milling machines and milling practice D. De Vries, 1910      *The No. 4 Burke Milling Machine* Burke  
Machine Tool Co, 1969\*      **MILLING MACHINES AND MILLING PRACTICE** D. DE. VRIES, 2018      **Kondia FV-1 Type**  
, 1978      **DCS-1001B Numerically Controlled 4-axis Milling Machine** CompuDyne Corporation, 1965      Trade  
Catalogs on Milling Machines FEXAC (Firm), 1969      *Operating Instructions, Maintenance Data and Parts List* Greaves  
Machine Tool Co. Machine Tool Division, 1965\*      *Working techniques for manual working of material*, 1982      **A Machine**  
**Shop Companion for the Manual Vertical Milling Machine** Dale Grover, 2025-03-02 The goal of this book is to increase  
the odds that your next project on the vertical milling machine will be successful safe and efficient You may have taken a  
safety and basic operation class or read through the operating manual for your mill but you may still have questions still have  
some anxiety about turning the mill on This book is for you In this book we discuss the critical things to get right on the  
milling machine workholding cutters toolholding spindle speed cutting depth feed rate We include a pre flight checklist so  
before you even turn on the mill the odds are already in your favor There are no good surprises in the machine shop We can  
reduce the number of surprises dramatically by a consistent approach to setting up and using the milling machine Soon we  
hope you count the mill as a trusted tool that enables you to produce precision parts as it has for countless machinists  
professional and amateur alike      *Milling machines and milling practice* Hugo de Vries, 1916      Instructions for Milling  
Machine No. 2 Plain Brown & Sharpe Manufacturing Company, 1910

Thank you utterly much for downloading **Fexacug Milling Machine Manual**. Maybe you have knowledge that, people have look numerous period for their favorite books when this Fexacug Milling Machine Manual, but end up in harmful downloads.

Rather than enjoying a good ebook similar to a mug of coffee in the afternoon, otherwise they juggled afterward some harmful virus inside their computer. **Fexacug Milling Machine Manual** is simple in our digital library an online permission to it is set as public appropriately you can download it instantly. Our digital library saves in complex countries, allowing you to acquire the most less latency time to download any of our books like this one. Merely said, the Fexacug Milling Machine Manual is universally compatible like any devices to read.

[https://www.premierapicert.gulfbank.com/files/uploaded-files/HomePages/tricks\\_digital\\_literacy.pdf](https://www.premierapicert.gulfbank.com/files/uploaded-files/HomePages/tricks_digital_literacy.pdf)

## **Table of Contents Fexacug Milling Machine Manual**

1. Understanding the eBook Fexacug Milling Machine Manual
  - The Rise of Digital Reading Fexacug Milling Machine Manual
  - Advantages of eBooks Over Traditional Books
2. Identifying Fexacug Milling Machine Manual
  - Exploring Different Genres
  - Considering Fiction vs. Non-Fiction
  - Determining Your Reading Goals
3. Choosing the Right eBook Platform
  - Popular eBook Platforms
  - Features to Look for in an Fexacug Milling Machine Manual
  - User-Friendly Interface
4. Exploring eBook Recommendations from Fexacug Milling Machine Manual
  - Personalized Recommendations
  - Fexacug Milling Machine Manual User Reviews and Ratings
  - Fexacug Milling Machine Manual and Bestseller Lists

5. Accessing Fexacug Milling Machine Manual Free and Paid eBooks
  - Fexacug Milling Machine Manual Public Domain eBooks
  - Fexacug Milling Machine Manual eBook Subscription Services
  - Fexacug Milling Machine Manual Budget-Friendly Options
6. Navigating Fexacug Milling Machine Manual eBook Formats
  - ePub, PDF, MOBI, and More
  - Fexacug Milling Machine Manual Compatibility with Devices
  - Fexacug Milling Machine Manual Enhanced eBook Features
7. Enhancing Your Reading Experience
  - Adjustable Fonts and Text Sizes of Fexacug Milling Machine Manual
  - Highlighting and Note-Taking Fexacug Milling Machine Manual
  - Interactive Elements Fexacug Milling Machine Manual
8. Staying Engaged with Fexacug Milling Machine Manual
  - Joining Online Reading Communities
  - Participating in Virtual Book Clubs
  - Following Authors and Publishers Fexacug Milling Machine Manual
9. Balancing eBooks and Physical Books Fexacug Milling Machine Manual
  - Benefits of a Digital Library
  - Creating a Diverse Reading Collection Fexacug Milling Machine Manual
10. Overcoming Reading Challenges
  - Dealing with Digital Eye Strain
  - Minimizing Distractions
  - Managing Screen Time
11. Cultivating a Reading Routine Fexacug Milling Machine Manual
  - Setting Reading Goals Fexacug Milling Machine Manual
  - Carving Out Dedicated Reading Time
12. Sourcing Reliable Information of Fexacug Milling Machine Manual
  - Fact-Checking eBook Content of Fexacug Milling Machine Manual
  - Distinguishing Credible Sources
13. Promoting Lifelong Learning

- Utilizing eBooks for Skill Development
  - Exploring Educational eBooks
14. Embracing eBook Trends
- Integration of Multimedia Elements
  - Interactive and Gamified eBooks

### **Fexacug Milling Machine Manual Introduction**

In this digital age, the convenience of accessing information at our fingertips has become a necessity. Whether its research papers, eBooks, or user manuals, PDF files have become the preferred format for sharing and reading documents. However, the cost associated with purchasing PDF files can sometimes be a barrier for many individuals and organizations. Thankfully, there are numerous websites and platforms that allow users to download free PDF files legally. In this article, we will explore some of the best platforms to download free PDFs. One of the most popular platforms to download free PDF files is Project Gutenberg. This online library offers over 60,000 free eBooks that are in the public domain. From classic literature to historical documents, Project Gutenberg provides a wide range of PDF files that can be downloaded and enjoyed on various devices. The website is user-friendly and allows users to search for specific titles or browse through different categories. Another reliable platform for downloading Fexacug Milling Machine Manual free PDF files is Open Library. With its vast collection of over 1 million eBooks, Open Library has something for every reader. The website offers a seamless experience by providing options to borrow or download PDF files. Users simply need to create a free account to access this treasure trove of knowledge. Open Library also allows users to contribute by uploading and sharing their own PDF files, making it a collaborative platform for book enthusiasts. For those interested in academic resources, there are websites dedicated to providing free PDFs of research papers and scientific articles. One such website is Academia.edu, which allows researchers and scholars to share their work with a global audience. Users can download PDF files of research papers, theses, and dissertations covering a wide range of subjects. Academia.edu also provides a platform for discussions and networking within the academic community. When it comes to downloading Fexacug Milling Machine Manual free PDF files of magazines, brochures, and catalogs, Issuu is a popular choice. This digital publishing platform hosts a vast collection of publications from around the world. Users can search for specific titles or explore various categories and genres. Issuu offers a seamless reading experience with its user-friendly interface and allows users to download PDF files for offline reading. Apart from dedicated platforms, search engines also play a crucial role in finding free PDF files. Google, for instance, has an advanced search feature that allows users to filter results by file type. By specifying the file type as "PDF," users can find websites that offer free PDF downloads on a specific topic. While downloading Fexacug Milling Machine Manual free PDF files is

convenient, its important to note that copyright laws must be respected. Always ensure that the PDF files you download are legally available for free. Many authors and publishers voluntarily provide free PDF versions of their work, but its essential to be cautious and verify the authenticity of the source before downloading Fexacug Milling Machine Manual. In conclusion, the internet offers numerous platforms and websites that allow users to download free PDF files legally. Whether its classic literature, research papers, or magazines, there is something for everyone. The platforms mentioned in this article, such as Project Gutenberg, Open Library, Academia.edu, and Issuu, provide access to a vast collection of PDF files. However, users should always be cautious and verify the legality of the source before downloading Fexacug Milling Machine Manual any PDF files. With these platforms, the world of PDF downloads is just a click away.

### **FAQs About Fexacug Milling Machine Manual Books**

How do I know which eBook platform is the best for me? Finding the best eBook platform depends on your reading preferences and device compatibility. Research different platforms, read user reviews, and explore their features before making a choice. Are free eBooks of good quality? Yes, many reputable platforms offer high-quality free eBooks, including classics and public domain works. However, make sure to verify the source to ensure the eBook credibility. Can I read eBooks without an eReader? Absolutely! Most eBook platforms offer web-based readers or mobile apps that allow you to read eBooks on your computer, tablet, or smartphone. How do I avoid digital eye strain while reading eBooks? To prevent digital eye strain, take regular breaks, adjust the font size and background color, and ensure proper lighting while reading eBooks. What the advantage of interactive eBooks? Interactive eBooks incorporate multimedia elements, quizzes, and activities, enhancing the reader engagement and providing a more immersive learning experience. Fexacug Milling Machine Manual is one of the best book in our library for free trial. We provide copy of Fexacug Milling Machine Manual in digital format, so the resources that you find are reliable. There are also many Ebooks of related with Fexacug Milling Machine Manual. Where to download Fexacug Milling Machine Manual online for free? Are you looking for Fexacug Milling Machine Manual PDF? This is definitely going to save you time and cash in something you should think about.

### **Find Fexacug Milling Machine Manual :**

**tricks digital literacy**

**emotional intelligence award winning**

**leadership skills review**

[advanced social media literacy](#)

[fan favorite cybersecurity](#)

**tips social media literacy**

**trauma healing 2026 guide**

[trauma healing international bestseller](#)

**digital literacy review**

*self help 2026 guide*

**fan favorite self help**

**quick start psychology of success**

[leadership skills 2025 edition](#)

[2025 edition personal finance](#)

[fan favorite leadership skills](#)

## **Fexacug Milling Machine Manual :**

**il club delle 5 del mattino inizia presto la giornata dai una svolta** - Sep 26 2022

web il club delle 5 del mattino inizia presto la giornata dai una svolta alla tua vita ci sono buone abitudini che una volta acquisite ci aiutano a vivere meglio svegliarsi presto la mattina per seguire una routine fatta di azioni e di gesti salutari è senza dubbio una delle più importanti perché ci permette non solo di affrontare la

**il club delle 5 del mattino inizia presto la giornata dai una svolta** - Oct 28 2022

web aug 25 2020 È un buon inizio a determinare il successo le prime ore del giorno hanno forgiato i grandi eroi riprendetevi il mattino e diventate padroni della vostra vita ci sono buone abitudini che una volta acquisite ci aiutano a vivere meglio svegliarsi presto la mattina per seguire una rou

[il club delle 5 del mattino inizia presto la giornata dai una svolta](#) - Apr 02 2023

web il club delle 5 del mattino inizia presto la giornata dai una svolta alla tua vita ebook written by robin s sharma read this book using google play books app on your pc

**il club delle 5 del mattino inizia presto la giornata dai una svolta** - Mar 01 2023

web descrizione È un buon inizio a determinare il successo le prime ore del giorno hanno forgiato i grandi eroi riprendetevi il mattino e diventate padroni della vostra vita ci sono buone abitudini che una volta acquisite ci aiutano a vivere meglio

*il club delle 5 del mattino inizia presto la giornata dai una svolta* - Mar 21 2022

web attraverso la storia di due insoliti personaggi una giovane imprenditrice e un eccentrico pittore e del loro incontro con



uno stravagante e simpatico miliardario che li guiderà in un

**amazon it recensioni clienti il club delle 5 del mattino inizia** - Feb 17 2022

web consultare utili recensioni cliente e valutazioni per il club delle 5 del mattino inizia presto la giornata dai una svolta alla tua vita su amazon it consultare recensioni obiettive e imparziali sui prodotti fornite dagli utenti

**il club delle 5 del mattino inizia presto la giornata dai una svolta** - Aug 06 2023

web inizia presto la giornata dai una svolta alla tua vita è un libro di robin s sharma pubblicato da tea nella collana varia best seller acquista su ibs a 10 00

il club delle 5 del mattino inizia presto la giornata dai una svolta - May 03 2023

web may 16 2023 acquista online il libro il club delle 5 del mattino inizia presto la giornata dai una svolta alla tua vita di robin s sharma in offerta a prezzi imbattibili su mondadori store carta payback di mondadori

*il club delle 5 del mattino su apple books* - Jan 31 2023

web È un buon inizio a determinare il successo le prime ore del giorno hanno forgiato i grandi eroi riprendetevi il mattino e diventate padroni della vostra vita ci sono buone abitudini che una volta acquisite ci aiutano a vivere meglio svegliarsi presto la

*pdf epub il club delle 5 del mattino inizia presto la gratis* - Apr 21 2022

web e robin sharma ci indica la strada giusta per arrivarci mattino dopo mattino dettagli e book il club delle 5 del mattino inizia presto la giornata dai una svolta alla tua vita autore s robin s sharma genevienne pecunia tea pecunia titolo il club delle 5 del mattino inizia presto la giornata dai una svolta alla tua vita

*il club delle 5 del mattino inizia presto la giornata dai una svolta* - Jul 25 2022

web il club delle 5 del mattino inizia presto la giornata dai una svolta alla tua vita è un ebook di sharma robin s pubblicato da tre60 a 7 99 il file è in formato epub2 con adobe drm risparmia online con le offerte lafeltrinelli

**il club delle 5 del mattino inizia presto la giornata dai una svolta** - Jun 04 2023

web il club delle 5 del mattino inizia presto la giornata dai una svolta alla tua vita audiolibro audible edizione integrale robin sharma autore edoardo lomazzi narratore 1 altro 4 4 924 voti visualizza tutti i formati ed edizioni

**il club delle 5 del mattino inizia presto la giornata dai una svolta** - Oct 08 2023

web inizia presto la giornata dai una svolta alla tua vita robin s sharma libro tre60 varia tre60 ibs il club delle 5 del mattino inizia presto la giornata dai una svolta alla tua vita è un libro di robin s sharma pubblicato da tre60 nella collana varia tre60 acquista su ibs a 14 25

*il club delle 5 del mattino inizia presto la giornata dai una svolta* - Dec 30 2022

web il club delle 5 del mattino inizia presto la giornata dai una svolta alla tua vita di robin s sharma autore genevienne



**acls exam version a 2021 2022 questions with answers** - Dec 19 2021

**acls exam version b latest 2022 2023 50 questions and** - Nov 17 2021

acls exam version a b questions and answers - Aug 07 2023

web oct 26 2023 test prep s acls actual exam material brought to you by itexams group of certification experts view all acls actual exam questions answers and explanations

acls pretest questions answers 1 free practice test - Aug 27 2022

web partial preview of the text download acls exam version a 50 questions with 100 verified answers 2023 2024 a grade actual exa and more nursing

acls exam version a 2021 2022 complete questions and - Mar 22 2022

web feb 10 2022 exam elaborations acls final exam questions answers graded a latest update 4 exam elaborations acls certification exam questions answers 100

*acls exam version a b questions and answers 2023 24 latest* - Jun 24 2022

web oct 28 2023 acls exam version a 2020 2021 questions with answers exams certification by admin related posts ati comprehensive practice b

test prep acls free certification exam material - Feb 01 2023

web a 26 c to 28 c b 29 c to 31 c c 32 c to 34 c d 35 c to 37 c acls exam version b advanced cardiovascular life support exam version 50 questions please do not mark

**acls exam version a questions with answers acls stuvia** - Jul 26 2022

web aug 7 2023 c central intravenous d peripheral intravenous an activated aed does not promptly analyze the rhythm what is your next action a begin chest compressions b

**acls free exam questions answers itexams com** - Jul 06 2023

web see an expert written answer we have an expert written solution to this problem 3 min after witnessing a cardiac arrest one member of your team inserts an et tube while

acls exam version b advanced cardiovascular life support - Sep 27 2022

web prepare for your advanced cardiac life support exam with our acls pre test these questions answers and explanations will help guide you towards success

acls exam version a 2020 2021 questions with - Apr 03 2023

web acls exam version b latest 2022 2023 50 questions and answers 0 7 99 1x sold advanced cardiovascular life support

exam version b 50 questions please do not

**acls pre test with answers and explanations** - Dec 31 2022

web take our free acls pretest this is the 1st of our free acls practice tests create an account and access all 18 of our free pretests

acls exam version a 2020 2021 questions with answ - Feb 18 2022

*acls exam version a and b 2022 2023 question and answer* - Nov 29 2022

web dec 10 2022 acls exam version a questions with answers course acs institution acs acs exam version a questions with answers advanced cardiovascular life

**acls exam version c advanced cardiovascular life** - Sep 08 2023

web jul 20 2022 1 exam elaborations acs exam version b advanced cardiovascular life support exam acs version b 2 exam elaborations acs exam version a

aha acs post test answer key 2023 gotestprep com - Mar 02 2023

web see an expert written answer we have an expert written solution to this problem you are evaluating a 58 year old man with chest pain the blood pressure is 92 50 mm hg the

**aha acs post test answer key 2023 studocu** - Oct 09 2023

web aha acs post test answer key 2023 this is a sample copy of the american heart association aha advanced cardiac life support precourse self assessment test

**acls exam version a 50 questions with 100** - Apr 22 2022

web download acs exam version a 2021 2022 questions with answers graded a plus and more nursing exams in pdf only on docsity advanced cardiovascular life support

acs post test copy questions and answers latest - Jun 05 2023

web aha acs post test answer key 2023 this is a sample copy of the american heart association aha advanced cardiac life support precourse self assessment test

aha acs written test flashcards quizlet - May 04 2023

web nov 5 2023 the acs or as it s also known the advanced cardiac life support like all tests there is a bit of freedom on test prep s part to exam an array of subjects that

**life in the dark illuminating biodiversity in the shadowy haunts** - Sep 03 2022

web with more than 200 mesmerizing color photographs life in the dark unveils bizarre creatures like the firefly squid the giant amazonian catfish the chinese cavefish and

[life in the dark never before photographed sea and cave](#) - Apr 29 2022

web reclaiming the soils many of the world s ecosystems have undergone degradation and biological diversity has declined as a result so far efforts to conserve and manage the

[life in the dark illuminating biodiversity in the shadowy haunts](#) - Feb 08 2023

web jun 1 2017 jeffrey streicher chapter homo sapien is just one species among millions of other animals here on planet earth in the space of just a few thousand years however

**life in the dark illuminating biodiversity in the** - May 11 2023

web mar 9 2017 2017 life in the dark illuminating biodiversity in the shadowy haunts of planet earth journal of natural history vol 51 no 11 12 pp 703 704

[environmental dna illuminates the dark diversity of sharks](#) - Oct 24 2021

[life in the dark illuminating biodiversity in the](#) - Feb 25 2022

web may 1 2010 it serves as source of food fodder fuel timber medicine and much more biodiversity in agricultural landscapes can be divide into visible aboveground

[life in the dark illuminating biodiversity in the](#) - Jun 12 2023

web apr 15 2016 life in the dark illuminating biodiversity in the shadowy haunts of planet earth takes readers on a spectacular photographic tour of the places that our eyes alone

[life in the dark illuminating biodiversity in the shadowy haunts](#) - Aug 02 2022

web select search scope currently catalog all catalog articles website more in one search catalog books media more in the stanford libraries collections articles journal

[life in the dark illuminating biodiversity in the shadowy haunts](#) - Dec 26 2021

web apr 15 2016 life in the dark illuminating biodiversity in the shadowy haunts of planet earth takes readers on a spectacular photographic tour of the places that our eyes alone

**life in the dark illuminating biodiversity in the** - Aug 14 2023

web feb 20 2017 life in the dark illuminating biodiversity in the shadowy haunts of planet earth author martin guha

**life in the dark illuminating biodiversity in the** - Dec 06 2022

web with more than 200 mesmerizing color photographs life in the dark unveils bizarre creatures like the firefly squid the giant amazonian catfish the chinese cavefish and

**life in the dark illuminating biodiversity in the shadowy haunts** - Jul 01 2022

web jun 6 2016 fenolio a zoologist biologist and wildlife photographer has captured images of wildlife that live in the

darkest places on the planet including the deep sea

[life in the dark illuminating biodiversity in the shadowy haunts](#) - Jul 13 2023

web life in the dark illuminating biodiversity in the shadowy haunts of planet earth graham proudlove the manchester museum university of manchester manchester u k

[life in the dark illuminating biodiversity in the shadowy haunts](#) - Mar 29 2022

web apr 15 2016 life in the dark illuminating biodiversity in the shadowy haunts of planet earth fenolio danté amazon ca books

*life in the dark illuminating biodiversity in the shadowy haunts* - Mar 09 2023

web life in the dark illuminating biodiversity in the shadowy haunts of planet earth fenolio danté amazon com tr kitap

**life in the dark illuminating biodiversity in the shadowy haunts of** - May 31 2022

web mar 9 2017 life in the dark illuminating biodiversity in the shadowy haunts of planet earth danté fenolio johns hopkins university press baltimore maryland usa 317 pp

**life in the dark hopkins press** - Apr 10 2023

web life in the dark illuminating biodiversity in the shadowy haunts of planet earth by danté fenolio baltimore maryland johns hopkins university press 39 95 317 p ill

*life in the dark illuminating biodiversity in the shadowy haunts* - Sep 22 2021

[life in the dark illuminating biodiversity in the shadowy haunts](#) - Jan 07 2023

web of light and dark ecological consequences of artificial night lighting is the first book to consider the environmental effects of the intentional illumination of the night it brings

[pdf biodiversity in the dark researchgate](#) - Nov 24 2021

*life in the dark illuminating biodiversity in the margaret roach* - Nov 05 2022

web may 15 2016 life in the dark shows us the many ways in which life forms have adapted to lightless environments including refinements of senses evolution of unique body

*life in the dark illuminating biodiversity in the shadowy haunts* - Oct 04 2022

web buy life in the dark illuminating biodiversity in the shadowy haunts of planet earth illustrated by fenolio danté isbn 9781421418636 from amazon s book store

*biodiversity in the dark nature geoscience* - Jan 27 2022

web may 2 2018 a theoretical illustration of dark diversity measured by traditional methods simply unseen but illuminated

by edna revealing a lower amount of dark diversity