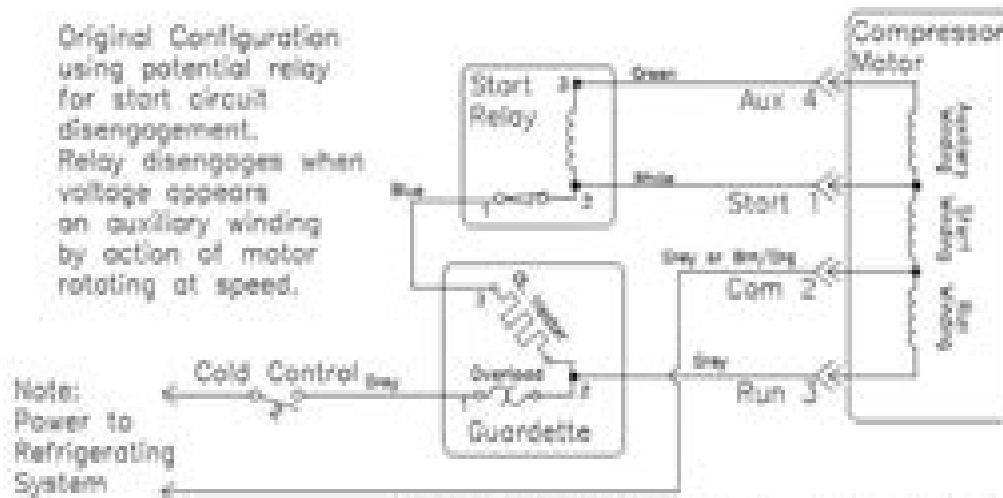
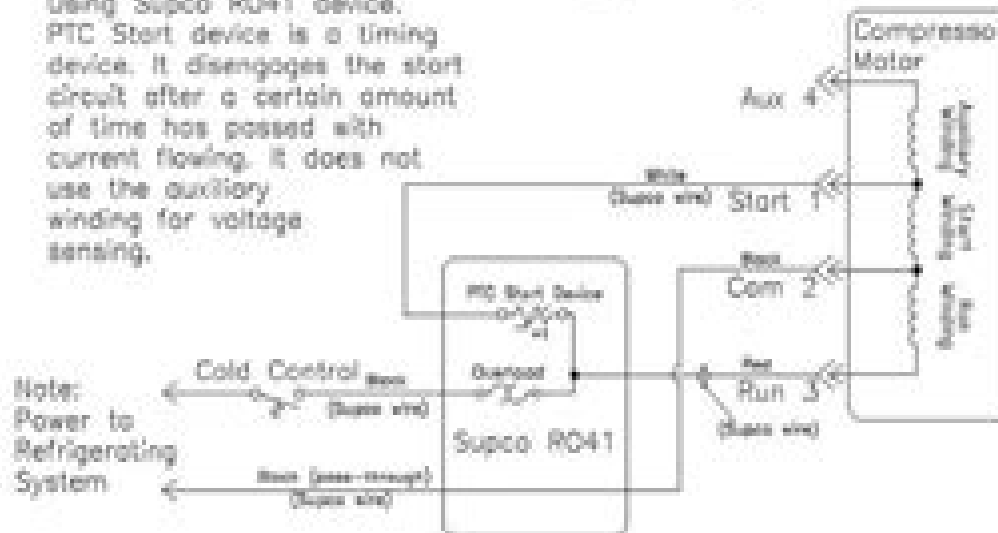


Original Configuration using potential relay for start circuit disengagement. Relay disengages when voltage appears on auxiliary winding by action of motor rotating at speed.



General Electric 4-Wire Refrigerator Compressor Start Relay Wiring.

Using Supco RD41 device. PTC Start device is a timing device. It disengages the start circuit after a certain amount of time has passed with current flowing. It does not use the auxiliary winding for voltage sensing.



Ge Refrigerator Wiring Guide

CH Cherryholmes



Ge Refrigerator Wiring Guide:

Popular Mechanics ,1978-05 Popular Mechanics inspires instructs and influences readers to help them master the modern world Whether it s practical DIY home improvement tips gadgets and digital technology information on the newest cars or the latest breakthroughs in science PM is the ultimate guide to our high tech lifestyle **Schematic Wiring** Stanley H. Aglow,1991 **Popular Mechanics** ,1989-05 Popular Mechanics inspires instructs and influences readers to help them master the modern world Whether it s practical DIY home improvement tips gadgets and digital technology information on the newest cars or the latest breakthroughs in science PM is the ultimate guide to our high tech lifestyle **War Department Education Manual** United States Armed Forces Institute,1943 **Popular Science** ,1985-06 Popular Science gives our readers the information and tools to improve their technology and their world The core belief that Popular Science and our readers share The future is going to be better and science and technology are the driving forces that will help make it better **Naval Electricians' Text Book ...** William Hannum Grubb Bullard,1915 **Practical** William Hannum Grubb Bullard,1911 **Military Vehicles Magazine's Dodge M37 Restoration Guide** David H. Ahl,2001 More than 115 000 Dodge M37 pickup trucks were produced between 1951 and 1968 With many still running today it is the second most popular military collector vehicle next to Jeep This hands on guide to buying restoring repairing and operating an M37 provides practical tips on mechanics bodywork and painting More than 200 photographs and illustrations provide easy to follow instruction Locate hard to find parts with the completely illustrated 40 page parts catalogue A comprehensive 13 page preventive maintenance guide will help owners keep their M37 trucks running smoothly Features Hands on guide to buying restoring repairing and operating the Dodge M37 pickup truck Practical tips on mechanics bodywork and painting More than 200 photographs and illustrations provide easy to follow instructions Includes a completely illustrated 40 page parts catalogue of hard to find parts **Electric Light and Power** ,1942 **Popular Science** ,1975-01 Popular Science gives our readers the information and tools to improve their technology and their world The core belief that Popular Science and our readers share The future is going to be better and science and technology are the driving forces that will help make it better *Popular Science* ,1985 **Electricity on the Farm** Frederick Shepperd,1947 Includes separately paged Dealer section with which is consolidated the Rural electric dealer called later Merchandising supplement from Mar 1928 to June 1932 **Real Estate Record and Builders' Guide** ,1915 **Popular Science** ,1959-06 Popular Science gives our readers the information and tools to improve their technology and their world The core belief that Popular Science and our readers share The future is going to be better and science and technology are the driving forces that will help make it better **The Home Office** ,1929 **Power Plant Engineering** ,1922 *Popular Science* ,1982-04 Popular Science gives our readers the information and tools to improve their technology and their world The core belief that Popular Science and our readers share The future is going to be better and science and technology are the driving forces that will help make it better

Popular Science ,1953-07 Popular Science gives our readers the information and tools to improve their technology and their world The core belief that Popular Science and our readers share The future is going to be better and science and technology are the driving forces that will help make it better

Popular Mechanics ,1978

Servicing Hermetically Sealed Units ,1947

Eventually, you will utterly discover a further experience and success by spending more cash. still when? realize you say yes that you require to get those all needs following having significantly cash? Why dont you try to get something basic in the beginning? Thats something that will lead you to understand even more nearly the globe, experience, some places, following history, amusement, and a lot more?

It is your extremely own epoch to behave reviewing habit. in the midst of guides you could enjoy now is **Ge Refrigerator Wiring Guide** below.

<https://www.premierapicert.gulfbank.com/results/book-search/index.jsp/feuerwehr%20terminplaner%20tischkalender%202016%20hoch%20feuerwehrleute.pdf>

Table of Contents Ge Refrigerator Wiring Guide

1. Understanding the eBook Ge Refrigerator Wiring Guide
 - The Rise of Digital Reading Ge Refrigerator Wiring Guide
 - Advantages of eBooks Over Traditional Books
2. Identifying Ge Refrigerator Wiring Guide
 - Exploring Different Genres
 - Considering Fiction vs. Non-Fiction
 - Determining Your Reading Goals
3. Choosing the Right eBook Platform
 - Popular eBook Platforms
 - Features to Look for in an Ge Refrigerator Wiring Guide
 - User-Friendly Interface
4. Exploring eBook Recommendations from Ge Refrigerator Wiring Guide
 - Personalized Recommendations
 - Ge Refrigerator Wiring Guide User Reviews and Ratings
 - Ge Refrigerator Wiring Guide and Bestseller Lists

5. Accessing Ge Refrigerator Wiring Guide Free and Paid eBooks
 - Ge Refrigerator Wiring Guide Public Domain eBooks
 - Ge Refrigerator Wiring Guide eBook Subscription Services
 - Ge Refrigerator Wiring Guide Budget-Friendly Options
6. Navigating Ge Refrigerator Wiring Guide eBook Formats
 - ePub, PDF, MOBI, and More
 - Ge Refrigerator Wiring Guide Compatibility with Devices
 - Ge Refrigerator Wiring Guide Enhanced eBook Features
7. Enhancing Your Reading Experience
 - Adjustable Fonts and Text Sizes of Ge Refrigerator Wiring Guide
 - Highlighting and Note-Taking Ge Refrigerator Wiring Guide
 - Interactive Elements Ge Refrigerator Wiring Guide
8. Staying Engaged with Ge Refrigerator Wiring Guide
 - Joining Online Reading Communities
 - Participating in Virtual Book Clubs
 - Following Authors and Publishers Ge Refrigerator Wiring Guide
9. Balancing eBooks and Physical Books Ge Refrigerator Wiring Guide
 - Benefits of a Digital Library
 - Creating a Diverse Reading Collection Ge Refrigerator Wiring Guide
10. Overcoming Reading Challenges
 - Dealing with Digital Eye Strain
 - Minimizing Distractions
 - Managing Screen Time
11. Cultivating a Reading Routine Ge Refrigerator Wiring Guide
 - Setting Reading Goals Ge Refrigerator Wiring Guide
 - Carving Out Dedicated Reading Time
12. Sourcing Reliable Information of Ge Refrigerator Wiring Guide
 - Fact-Checking eBook Content of Ge Refrigerator Wiring Guide
 - Distinguishing Credible Sources
13. Promoting Lifelong Learning

- Utilizing eBooks for Skill Development
 - Exploring Educational eBooks
14. Embracing eBook Trends
- Integration of Multimedia Elements
 - Interactive and Gamified eBooks

Ge Refrigerator Wiring Guide Introduction

In today's digital age, the availability of Ge Refrigerator Wiring Guide books and manuals for download has revolutionized the way we access information. Gone are the days of physically flipping through pages and carrying heavy textbooks or manuals. With just a few clicks, we can now access a wealth of knowledge from the comfort of our own homes or on the go. This article will explore the advantages of Ge Refrigerator Wiring Guide books and manuals for download, along with some popular platforms that offer these resources. One of the significant advantages of Ge Refrigerator Wiring Guide books and manuals for download is the cost-saving aspect. Traditional books and manuals can be costly, especially if you need to purchase several of them for educational or professional purposes. By accessing Ge Refrigerator Wiring Guide versions, you eliminate the need to spend money on physical copies. This not only saves you money but also reduces the environmental impact associated with book production and transportation. Furthermore, Ge Refrigerator Wiring Guide books and manuals for download are incredibly convenient. With just a computer or smartphone and an internet connection, you can access a vast library of resources on any subject imaginable. Whether you're a student looking for textbooks, a professional seeking industry-specific manuals, or someone interested in self-improvement, these digital resources provide an efficient and accessible means of acquiring knowledge. Moreover, PDF books and manuals offer a range of benefits compared to other digital formats. PDF files are designed to retain their formatting regardless of the device used to open them. This ensures that the content appears exactly as intended by the author, with no loss of formatting or missing graphics. Additionally, PDF files can be easily annotated, bookmarked, and searched for specific terms, making them highly practical for studying or referencing. When it comes to accessing Ge Refrigerator Wiring Guide books and manuals, several platforms offer an extensive collection of resources. One such platform is Project Gutenberg, a nonprofit organization that provides over 60,000 free eBooks. These books are primarily in the public domain, meaning they can be freely distributed and downloaded. Project Gutenberg offers a wide range of classic literature, making it an excellent resource for literature enthusiasts. Another popular platform for Ge Refrigerator Wiring Guide books and manuals is Open Library. Open Library is an initiative of the Internet Archive, a non-profit organization dedicated to digitizing cultural artifacts and making them accessible to the public. Open Library hosts millions of books, including both public domain works and contemporary titles. It also allows users to

borrow digital copies of certain books for a limited period, similar to a library lending system. Additionally, many universities and educational institutions have their own digital libraries that provide free access to PDF books and manuals. These libraries often offer academic texts, research papers, and technical manuals, making them invaluable resources for students and researchers. Some notable examples include MIT OpenCourseWare, which offers free access to course materials from the Massachusetts Institute of Technology, and the Digital Public Library of America, which provides a vast collection of digitized books and historical documents. In conclusion, Ge Refrigerator Wiring Guide books and manuals for download have transformed the way we access information. They provide a cost-effective and convenient means of acquiring knowledge, offering the ability to access a vast library of resources at our fingertips. With platforms like Project Gutenberg, Open Library, and various digital libraries offered by educational institutions, we have access to an ever-expanding collection of books and manuals. Whether for educational, professional, or personal purposes, these digital resources serve as valuable tools for continuous learning and self-improvement. So why not take advantage of the vast world of Ge Refrigerator Wiring Guide books and manuals for download and embark on your journey of knowledge?

FAQs About Ge Refrigerator Wiring Guide Books

How do I know which eBook platform is the best for me? Finding the best eBook platform depends on your reading preferences and device compatibility. Research different platforms, read user reviews, and explore their features before making a choice. Are free eBooks of good quality? Yes, many reputable platforms offer high-quality free eBooks, including classics and public domain works. However, make sure to verify the source to ensure the eBook credibility. Can I read eBooks without an eReader? Absolutely! Most eBook platforms offer web-based readers or mobile apps that allow you to read eBooks on your computer, tablet, or smartphone. How do I avoid digital eye strain while reading eBooks? To prevent digital eye strain, take regular breaks, adjust the font size and background color, and ensure proper lighting while reading eBooks. What the advantage of interactive eBooks? Interactive eBooks incorporate multimedia elements, quizzes, and activities, enhancing the reader engagement and providing a more immersive learning experience. Ge Refrigerator Wiring Guide is one of the best book in our library for free trial. We provide copy of Ge Refrigerator Wiring Guide in digital format, so the resources that you find are reliable. There are also many Ebooks of related with Ge Refrigerator Wiring Guide. Where to download Ge Refrigerator Wiring Guide online for free? Are you looking for Ge Refrigerator Wiring Guide PDF? This is definitely going to save you time and cash in something you should think about.

Find Ge Refrigerator Wiring Guide :**feuerwehr terminplaner tischkalender 2016 hoch feuerwehrleute**~~fiabe di fasilandia italian~~**fiat 80 66 manual****ferrari 308 gt4 factory workshop repair manual****feste feiern mit ein dreij hrigen****fertility cycles and nutrition**ferrari mondial t workshop service repair manual*fiat croma 2005 2011 workshop repair service manual complete informative for diy repair 9734 9734 9734 9734 9734**femmes militaires claude weber*fiat doblo service repair workshop manual 2000 2009~~fiat ducato automatic manual~~*fiat brava 2002 service manual*~~fetal pig dissection data sheet teacher guide~~**fewer bigger bolder**ffentliche wrter analysen zum ffentlich medialen sprachgebrauch german edition**Ge Refrigerator Wiring Guide :****wood elves 8ed jlk9ygm1045 documents and e books** - Sep 24 2022

web dark elves dwarfs the empire high elves lizardmen ogre kingdoms orcs goblins skaven tomb kings vampire counts warriors of chaos wood elves

warhammer fantasy wood elves codex 8th ed - Mar 19 2022

web graham mcneill comes a grand saga of magic treachery and elves the elves are a mysterious and magical race best on all sides by war blessed with exceptionally long

high elves warhammer fantasy 8th edition - May 21 2022

web warhammer fantasy wood elves codex 8th ed passage to dawn mar 31 2020 the call of the past grows even stronger as drizt and his companions are lured from their ship

table of contents warhammer fantasy 8th edition - Jul 23 2022

web sisters of avelorn 20x20mm high elves come from the mystic isle of ulthuan a hidden realm far out to sea that almost no

others have visited

wood elves 8th edition army building help forum dakkadukka - Aug 04 2023

web oct 19 2010 i've been told by a few people that wood elves don't work very well under 8th edition rules with their current codex but i also know that the all tree army uses

high elves 8th edition army book pdf fantasy - Jan 29 2023

web warhammer fantasy battles wood elves 8th edition codex published in 2013 warhammer fantasy battles wood elves 8th edition codex published in 2013

warhammer armies wood elves 6th edition lexicanum - Feb 15 2022

web warhammer fantasy wood elves codex 8th ed ogor mawtribes feb 27 2023 the bookseller feb 24 2020 vols for 1871 76 1913 14 include an extra number the

warhammer armies wood elves 8th edition lexicanum - Sep 05 2023

web oct 17 2021 you get a free wood with wood elves stick them at the back of a map in a small unit with a small frontage inside the woodland and they swing well above their pay

wood elves 8th edition pdf copy r warhammerfantasy reddit - May 01 2023

web nov 1 2022 the eighth edition for life eefl warhammer forum eefl army lists get the rules right wfb 8th edition rules questions eefl painting and hobby

pdf warhammer fantasy wood elves codex 8th ed - Jan 17 2022

web this warhammer fantasy wood elves codex 8th ed as one of the most in force sellers here will unconditionally be accompanied by the best options to review realm of the ice

wood elves all tree army in 8th edition forum dakkadukka - Jul 03 2023

web warhammer fantasy wood elves codex 8th edition description this is a 8th edition of the warhammer fantasy wood elves codex publisher games workshop isbn

warhammer fantasy wood elves codex 8th ed pdf - Nov 14 2021

[warhammer fantasy wood elves codex 8th edition](#) - Jun 02 2023

web 6 min ago the island wizard join wood elves 8th edition pdf copy does anyone know where i can download a copy of the 8th edition book for wood elves vote add a

warhammer army book wood elves documents and e books - Oct 26 2022

web 1 introduction 2 the lords of athel loren 3 the deepwood host 4 the lore of high magic 5 the lore of dark magic 6 heirlooms of athel

are wood elves really the worst 8th ed r warhammerfantasy - Apr 19 2022

web nov 22 2019 80 isbn 1 84154 680 1 preceded by warhammer armies wood elves 4th edition followed by warhammer armies wood elves 8th edition

army books 8th edition warhammer the old - Dec 28 2022

web warhammer army book wood elves 143032xz5j4j idocpub home current explore explore all upload dark elves 8th edition warhammer army book october 2019

warhammer fantasy battles wood elves 8th edition codex ebay - Nov 26 2022

web download view wood elves 8ed as pdf for free more details pages 102 preview december 2019 144 warhammer 4th edition wood elves november 2019 230

warhammer fantasy wood elves 8th edition codex army - Feb 27 2023

web vaults forge high elves may have up to two of each of the magic items found in the warhammer fantasy 8th edition rulebook on the following pages you will find the

warhammer armies wood elves 8th edition lorehammer wikia - Aug 24 2022

web fan made wood elves codex very powerful not made by me i do not take credit or responsibility for this white lion of chrace warhammer quest tony baker perilous

pdf warhammer fantasy wood elves codex 8th ed - Dec 16 2021

wood elves warhammer fantasy 8th edition - Oct 06 2023

web to the wood elves their forest home of loren is a sacred place they guard it with all their strength and cunning leading invaders to their doom in the darkest tangles of the

wood elves pdf unrest leisure scribd - Jun 21 2022

web 8th ed wood elves are pretty strong not sure why they d be panned they are far from being the worst your list is ok you might want to consider making the spellsinger a

wood elf tactics the eighth edition for life eefl - Mar 31 2023

web warhammer fantasy wood elves 8th edition codex army book

excel default date setting from calendar to fiscal date - Oct 26 2021

year 2015 calendar united states timeanddate com - Sep 24 2021

excel formula get fiscal year from date got it ai - May 01 2022

2015 calendar excel download 16 free printable - Aug 16 2023

web download pre built excel calendar templates stay organized with a variety of excel calendar layouts and templates you can easily adapt to your needs

[fy 2015 year end calendar excel version university of colorado](#) - Nov 26 2021

excel calendar 2015 uk 16 free printable templates - Jun 14 2023

web choose file options and then select schedule in the fiscal year starts in box select the month with which you want the fiscal year to start if you want to label the fiscal year by using the calendar year in which that fiscal year begins rather than the calendar year in which it ends select the use starting year for fy numbering check box

how to convert a date into fiscal year excelnotes - Dec 28 2021**how to get the fiscal year from a date in excel** - Apr 12 2023

web jan 24 2017 free for you to download is this simple 2015 excel calendar template in an intuitive excel spreadsheet format download this calendar template to your computer print it out put it up on your wall and scribble all over it

create a calendar by using a template microsoft - Sep 05 2022

web year a2 2 fiscal year is the calendar year in which it ends e g 2018 if the fiscal year starts a month from february to december the identification of a fiscal year is the calendar year in which it ends the fiscal year that begins on 1 october 2014 and ends on 30 september 2015 will be 2015 fiscal year please copy the formula below

excel financial year formula computer tutoring - Oct 06 2022

web how this formula works to find the fiscal years from the dates in the range b3 b5 and starting fiscal months are in cells c3 c5 please use below formula year b3 month b3 c3 press enter key to get the first result then drag auto fill handle down to cell d5

get fiscal year from date excel formula exceljet - Jan 09 2023

web the fiscal year may vary among different countries and organizations this step by step tutorial will assist all levels of excel users in getting the fiscal year from a given date figure 1 final result get fiscal year from date final formula year b6 month b6 e 3 syntax of year function

[excel dates how much of a period falls in a financial year](#) - Jun 02 2022

web calendar generator create a calendar for any year monthly calendar shows only 1 month at a time custom calendar make advanced customized calendars printable calendar pdf calendars especially made for printing date calculators duration between two dates calculates number of days date calculator add or subtract

financial calendars 2015 16 uk in microsoft excel format - Mar 11 2023

web oct 1 2014 [fiscal calendars 2015 in other file formats word excel pdf financial calendars 2015 16 for the united kingdom running from april 2015 to april 2016 13 months other multi year calendars for 2014 15 split year calendars 2014 15 july 2014 to june 2015 school calendars 2014 15 august 2014 to july 2015 academic calendars excel formula get fiscal year from date extendoffice](#) - Jan 29 2022

[academic financial year planner for excel office watch](#) - Mar 31 2022

[fiscal calendars 2015 free printable word templates](#) - Aug 04 2022

web this version microsoft excel is the traditional comprehensive calendar if you would prefer to select the department for example psc or employee services whose processing dates and information are of greatest interest to you then see our google calendar version coming soon download the excel version below

fiscal calendars 2015 free printable excel templates - Jul 15 2023

web the calendars are 13 months long running from april 1st 2015 to april 30th 2016 to cover the period used for corporation tax and government financial statements april to march and also the personal tax year which starts on [free excel calendar template yearly monthly 2015 2016](#) - Nov 07 2022

web dec 6 2015 [i m working with excel i have a calendar date fiscal year fiscal month fiscal quarter i need to calculate the day of fiscal year fiscal year starts on april 1st and ends on march 31st how can i calculate the day of fiscal year how to calculate a fiscal day of year in excel stack overflow](#) - Feb 27 2022

set the month a fiscal year starts with microsoft support - Feb 10 2023

web mar 1 2014 [i need a way to determine how much of a given period start and end dates held in separate columns falls within a financial year 1 7 xxxx 30 6 xxxx if i could determine the number of days in that period that falls in the financial year it ll be a lifesaver](#)

[free 2015 excel calendar blank and printable calendar xls](#) - Dec 08 2022

web jan 13 2020 [the worksheet should work in all modern excels excel 365 for windows and mac excel app for android excel app for apple ipad iphone and excel online the browser based version of excel how the financial academic year planner works this calendar is essentially the same as the calendar year planner also available as a excel calendar templates microsoft support](#) - May 13 2023

web 14 rows [2015 calendar in excel xls format free 2015 excel calendars templates calendars are blank and printable with](#)

print range pre set calendar files are now in the new safer xlsx macro free format they are ideal for use as a [excel fiscal year calculations contextures excel tips](#) - Jul 03 2022

web mar 23 2014 our fiscal year 2014 is may 1 2013 through april 30 2014 the list can be sorted correctly via a custom list however if i filter for all fiscal periods prior to july 1 2015 excel does not recognize that january through april are actually after july 1 and should be excluded it seems to want to apply the filter based on calendar dates

kobelco sk115srdz 1e sk135sr 1e excavator pdf manuals - Jul 22 2022

web the kobelco sk115srdz and sk135srlc preface instructions read and understand all warning plates and decal on the machine before operating maintaining or repairing this

kobelco sk115sr sk115srl sk135sr sk135srlc - Oct 05 2023

web download complete service repair manual for kobelco sk115sr sk115srl sk135sr sk135srlc sk135srl crawler excavator it covers every single

fiat kobelco ex135 excavator service repair manual - Jan 16 2022

[kobelco sk135srl 1es hydraulic excavator service manual](#) - Jan 28 2023

web it is an complete original service repair manual for kobelco sk115srdz 1e sk135 sr l lc 1 e excavator helps you to service repair your machine with our original

[kobelco sk115srdz sk135srlc hydraulic excavator service](#) - Aug 23 2022

web this kobelco sk115sr 1es sk135srlc 1es sk135srl 1es excavator service manual contains detailed repair instructions and maintenance specifications to facilitate

kobelco sk115sr 1es sk135srlc 1es sk135srl 1es - Apr 18 2022

web kobelco sk115srdz sk135srlc hydraulic excavator service repair manual this highly detailed repair manual covers all repairs and servicing all technical details taken

[kobelco sk115srdz 1e sk135sr 1e sk135srlc](#) - Mar 30 2023

web kobelco sk135srl 1es hydraulic excavator workshop repair service manual this manual covers the repair and overhaul of kobelco sk135srl 1es hydraulic excavator

[sk135sr lc southeast asia kobelco construction](#) - Dec 27 2022

web original factory service repair manual for the kobelco sk115srdz sk135srlc hydraulic excavator this manual is very detailed and contains all the official kobelco

kobelco sk135sr 7 manuals manualslib - Feb 26 2023

web kobelco excavators maximize efficiency productivity safety and here at the repair manual you will find the original repair

and service manuals for all kobelco excavator

kobelco sk125sr sk135sr 2 sk135src 2 hydraulic - Nov 13 2021

kobelco sk135sr 3 sk135src 3 sk140sr 3 sk140src 3 - Apr 30 2023

web kobelco manuals excavators sk135sr 7 kobelco sk135sr 7 manuals manuals and user guides for kobelco sk135sr 7 we have 1 kobelco sk135sr 7 manual

kobelco sk115sr 1e sk135sr 1e sk135src 1e - Aug 03 2023

web jul 7 2021 kobelco sk135sr 2 sk135src 2 hydraulic excavator repair service manual manual for excavator sk135sr 2 sk135src 2 format pdf english shop

kobelco excavator service repair and workshop - Nov 25 2022

web pdf service manual includes schemes and technical information which will help maintain your kobelco excavators sk115srdz 1e sk135sr 1e 1 spare part catalogues 2

kobelco sk135 excavator service manual pittsburgh post gazette - May 20 2022

web this factory service repair manual offers all the service and repair information about fiat kobelco ex135 excavator the information on this manual covered everything you

kobelco sk115sr and sk135sr excavator service - Sep 04 2023

web the manual includes pictures and easy to follow directions on what tools are needed and how the repair is performed just imagine how much you can save by doing simple

kobelco 135 sk135 operator s manual heavymanuals com - Jun 20 2022

web this kobelco sr70 sr115 sr135 sr200 sr235 excavator service manual contains detailed repair instructions and maintenance specifications to facilitate your repair and

kobelco sk115srdz sk135src hydraulic excavator service - Dec 15 2021

kobelco sr70 sr115 sr135 sr200 sr235 excavator service - Feb 14 2022

kobelco sk135sr 7 operating manual pdf download - Jun 01 2023

web 35 00 manual for excavator sk135sr 3 sk135src 3 sk140sr 3 sk140src 3 format pdf english shop manual publication s5yy0028e03 kobelco sk135sr 3

kobelco sk115srdz 1e sk135 sr 1 lc 1 e excavator shop - Sep 23 2022

web acces pdf kobelco sk135 excavator service manual that will law you even extra to pass thing forget it it will be right for

you will later you are really dying of pdf just pick it

[kobelco service repair manual](#) - Oct 25 2022

web description kobelco 135 sk135 excavators operator s manual kobelco sk135src sk135srl hydraulic excavator operator s manual contains operating

kobelco sk115srdz and sk135src excavator service manual - Mar 18 2022

web the sk125sr sk135sr 2 sk135src 2 preface instructions read and understand all warning plates and decal on the machine before operating maintaining or repairing this

kobelco sk135sr 2 sk135src 2 hydraulic excavator repair - Jul 02 2023

web view and download kobelco sk135sr 7 operating manual online sk135sr 7 excavators pdf manual download also for sk140src 7 sk140srl 7